

Bulk Bag Dischargers



Appcon bulk bag dischargers are designed to fit your process and provide reliable product unloading for powders, pellets, granules, flakes and more. Our designs offer a variety of fit-and-finish including:

- Food Grade
- Advanced Food Grade
- Heavy Duty Industrial
- USDA 3A Dairy



OTHER OPTIONS:

- Stainless steel frames
- Integrated bag dump stations
- Integrated dust collectors
- Load cells for loss-in-weight dosing systems
- Frames with no hollow members
- Pneumatic hoists for classified area applications
- Low-profile hoists for low headroom applications
- System controls for complete process automation

FEATURES AND BENEFITS:

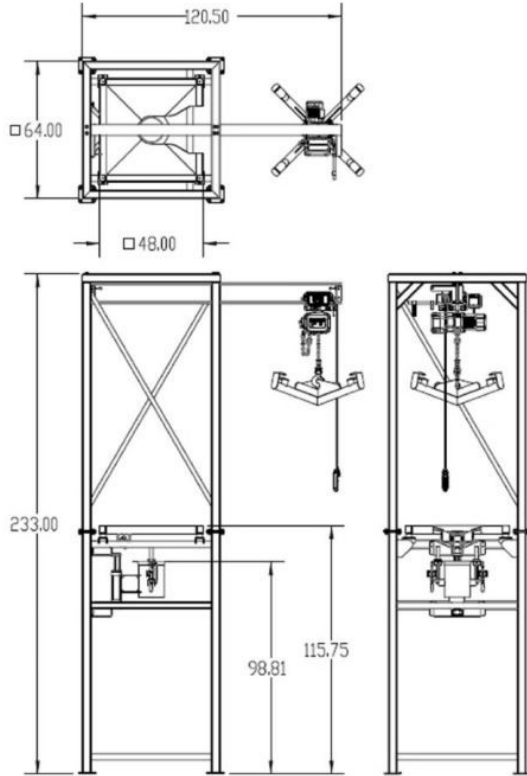
- ✓ **Simple and Ergonomic Design**
Our engineers at Appcon understand the value of simple, yet functionally designed equipment.
- ✓ **Easy Bag Handling**
Appcon offers motorized hoist/trolley and manual bag "nesting" options to make operators' job easy.
- ✓ **Dust-Free Operation**
Our systems utilize a telescoping bag discharge spout interfacing system (D-SIS) to keep plants clean and maximize efficiency.
- ✓ **Discharge Options**
Appcon offers numerous discharge configurations including simple spout into hopper, lump breaker, rotary airlock, screw feeders, magnets and more.



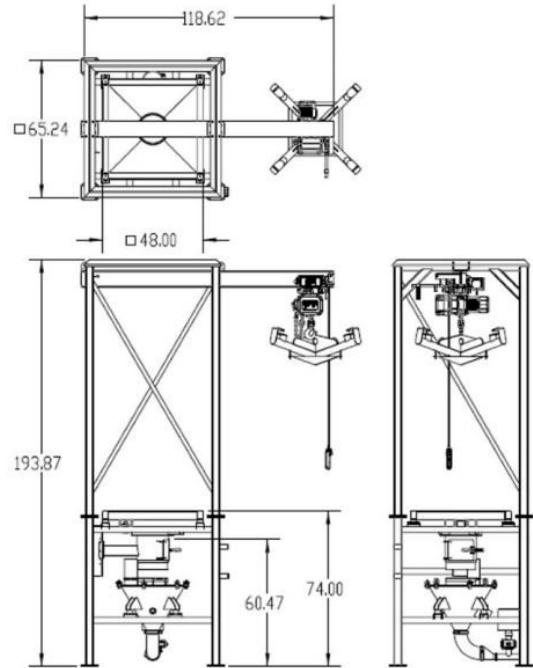
APPCON OFFERS:

- **Numerous bag interface configurations:**
 - Forklift loaded
 - Integrated hoist/trolley
 - Utilization of existing hoist/trolley
 - Lower frame only
- **Bag agitation options:**
 - Live bag tray
 - Pneumatically driven massager paddles
 - Hydraulically driven conditioner paddles

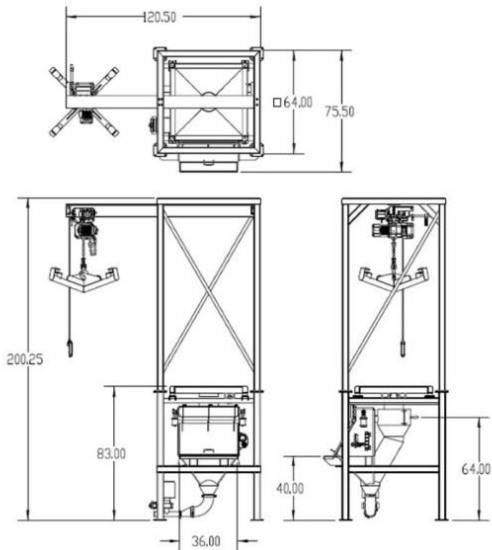
Bulk Bag Dischargers



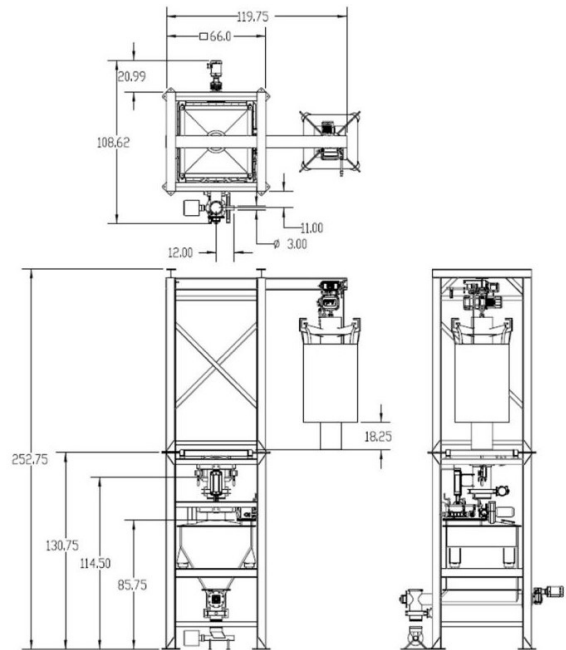
STANDARD CONFIGURATION



WITH PNEUMATIC CONVEY INLET HOPPER



WITH INTEGRATED BAG BREAK STATION



WITH VOLUMETRIC FEEDER DISCHARGE