

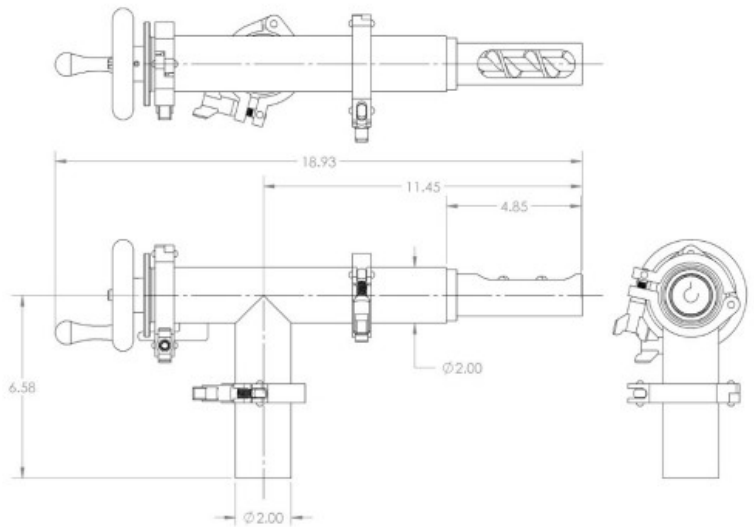
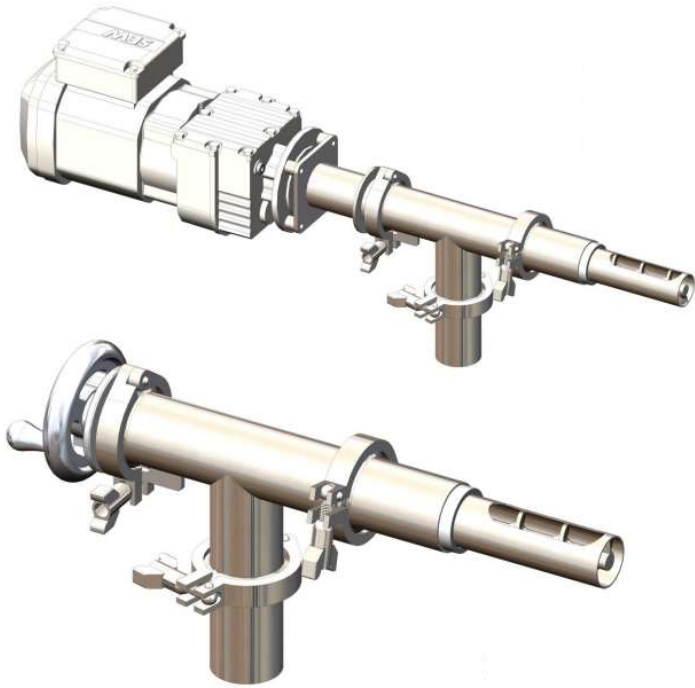
Point Sampler



Appcon automatic and manual point samplers provide a simple solution to capture samples of product without interrupting production.

Appcon point samplers are:

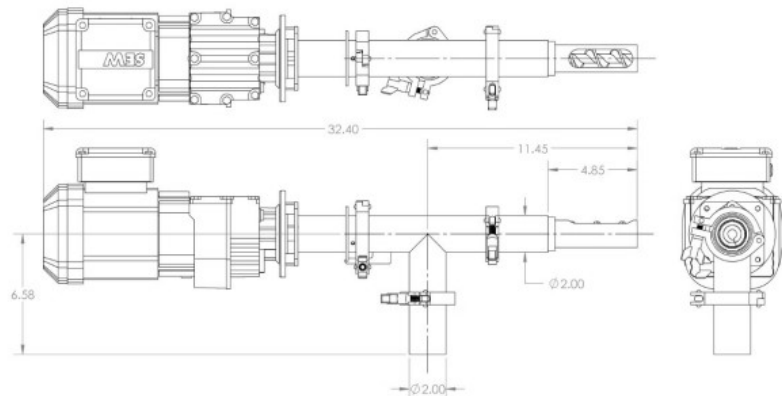
- Configurable to match your specific production needs
- Automatic or manually operated
- Constructed with sanitary stainless-steel
- Compatible for use in gravity lines, chutes, and hoppers
- Built with a 208/1/60 IP55 motor but other options are available upon request



MANUAL 2"

FEATURES AND BENEFITS:

- **Compatible**
 - Appcon samplers are compatible with dry bulk powders, granules, pellets, and flakes whether they are free flowing and can be implemented on hoppers, gravity lines, and chutes.
- **Operation**
 - Automatic and manual versions can be reversed prior to sample removal to ensure clean out of settled product and sample freshness.
- **Easy Disassembly**
 - The entire point sampler unit can be disassembled quickly without the need for tools and all product contact materials are FDA approved.



AUTOMATIC 2"